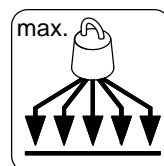
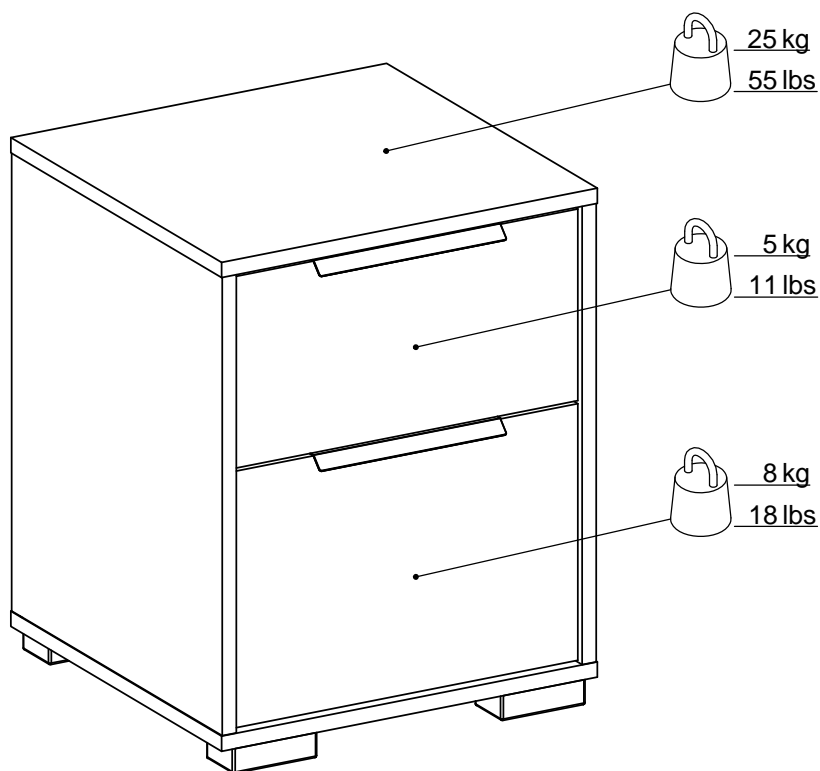
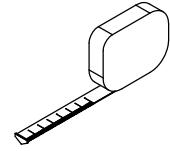
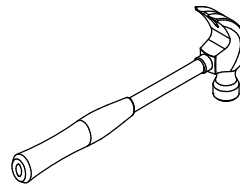
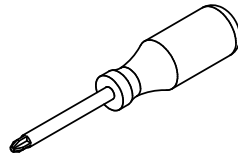
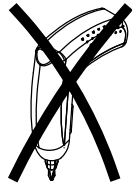
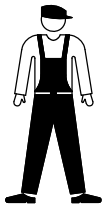


finlandek^

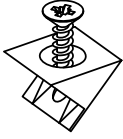


FIN70239 D





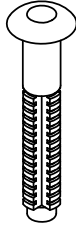
10401
x8



20203
x16



20228
x8



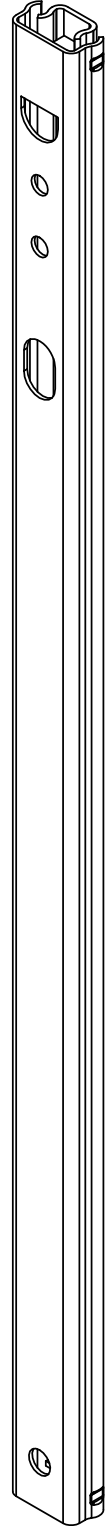
25215
x4



25233
x8



41404
x4



25262
x8



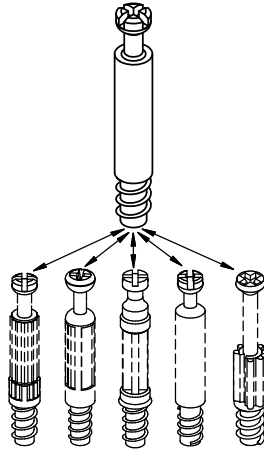
26020
x8



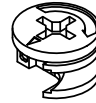
26214
x4



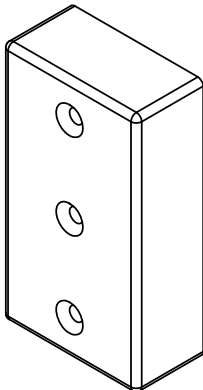
31513
x12



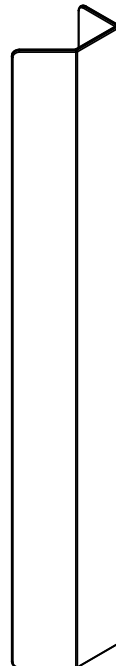
31687
x12

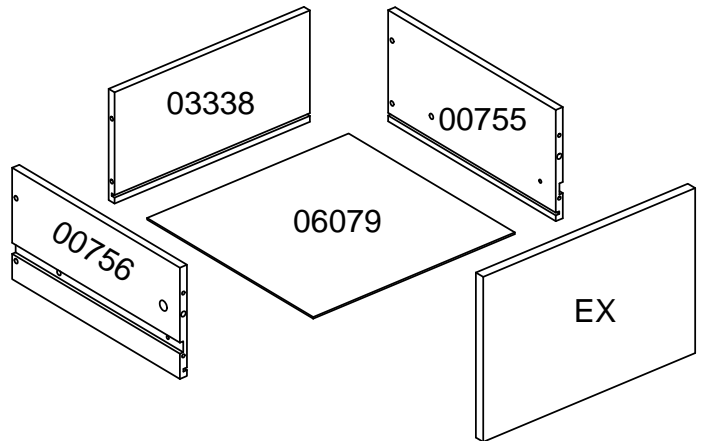
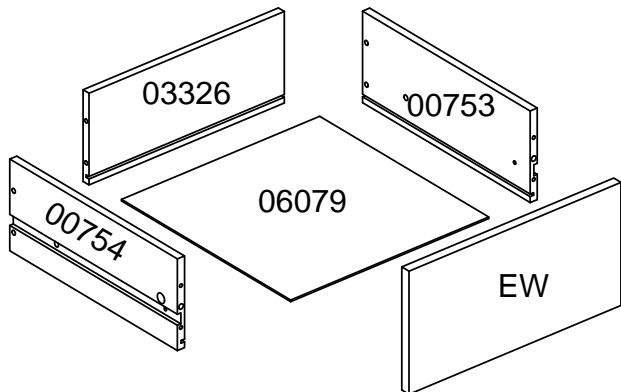
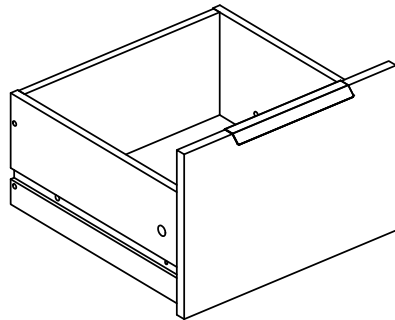
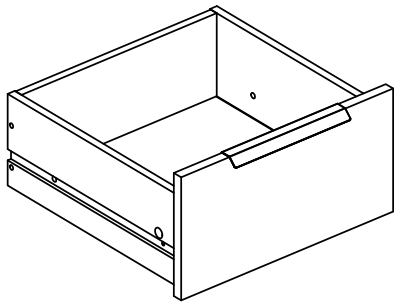
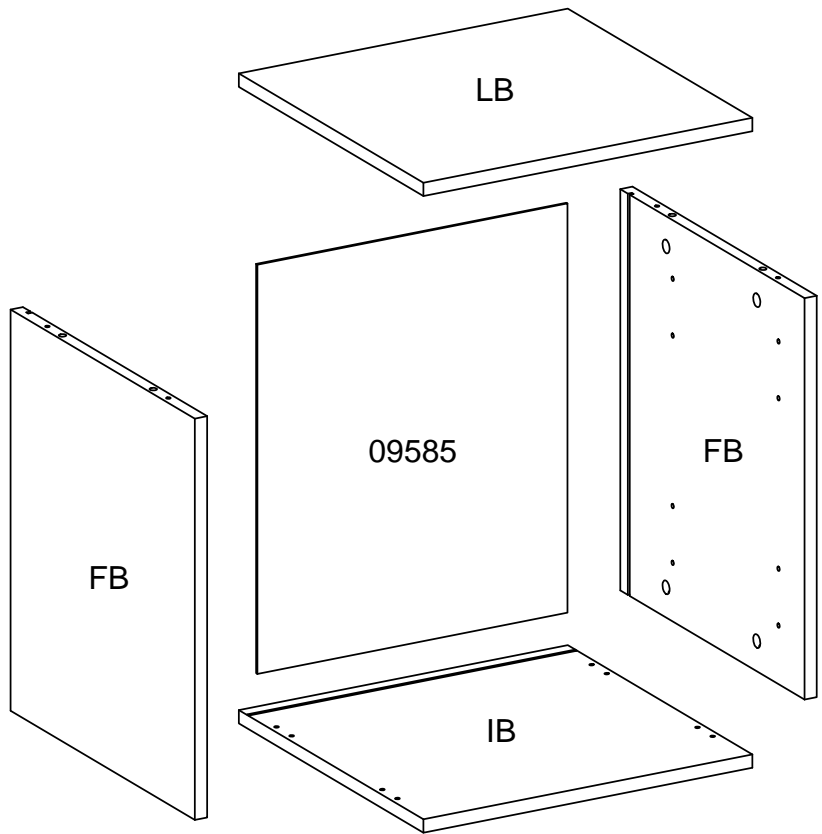
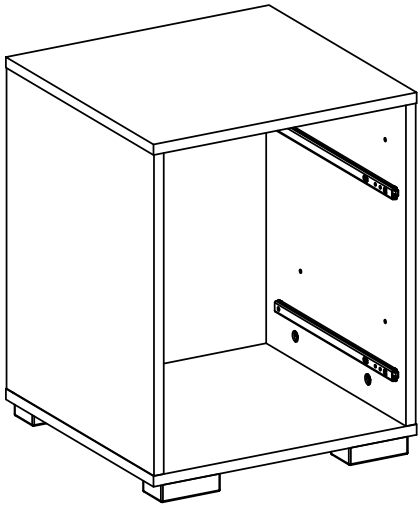


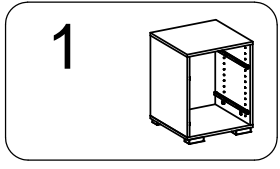
66214
x4



81116
x2

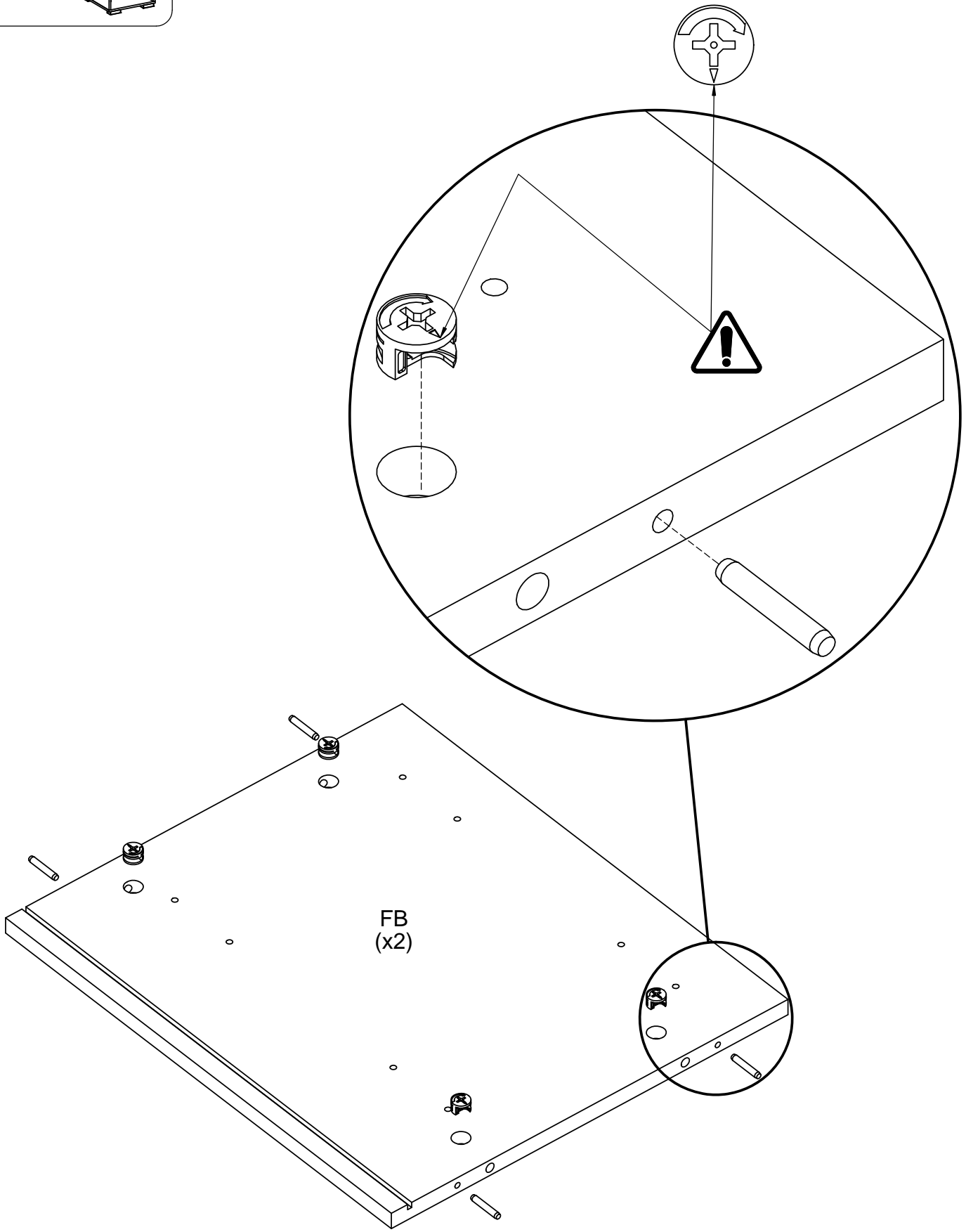


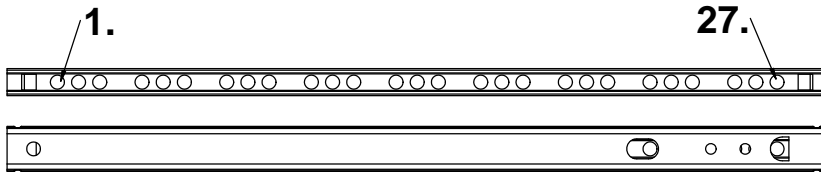
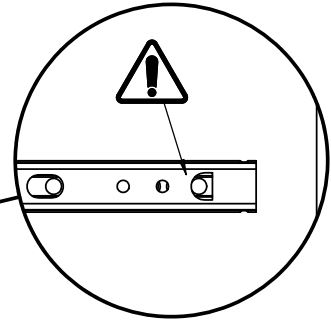
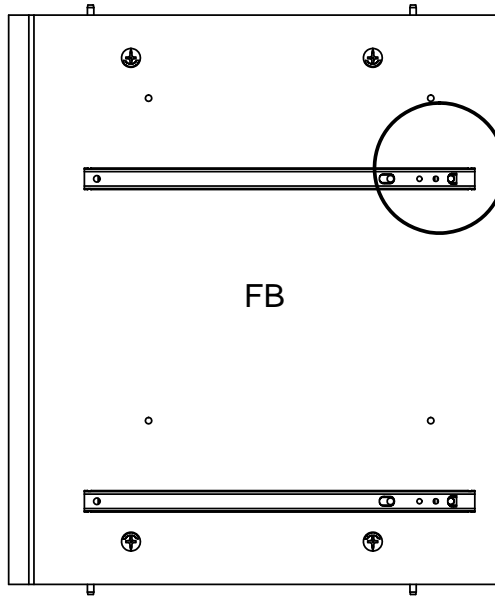
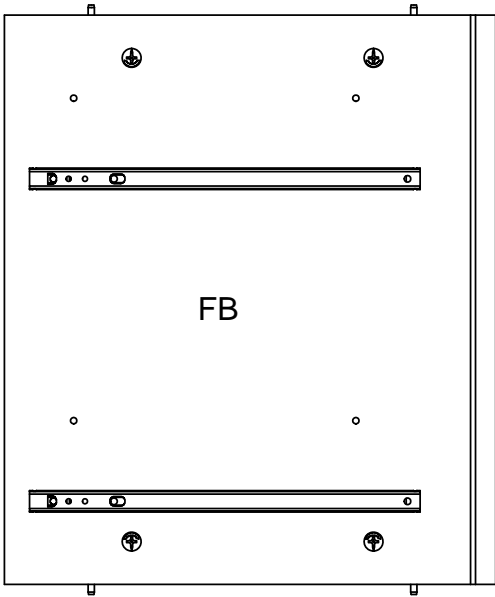
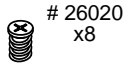
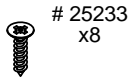
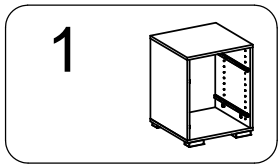




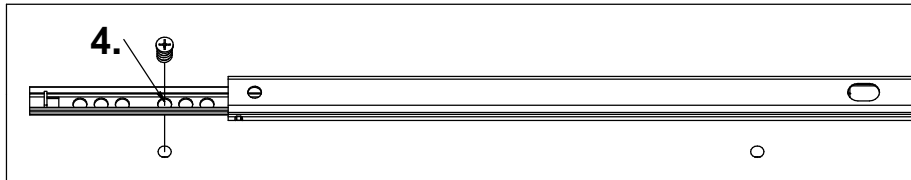
20203
x8

31687
x8

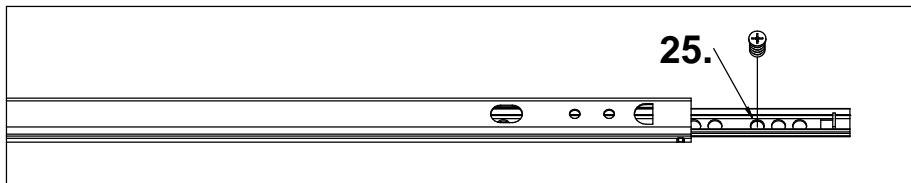




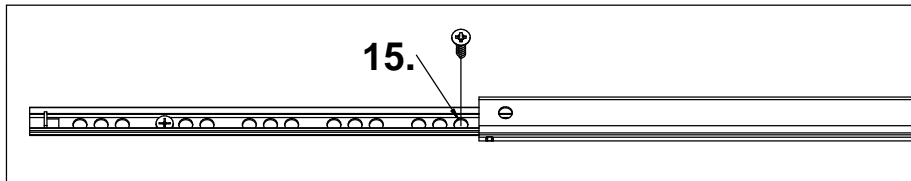
1.



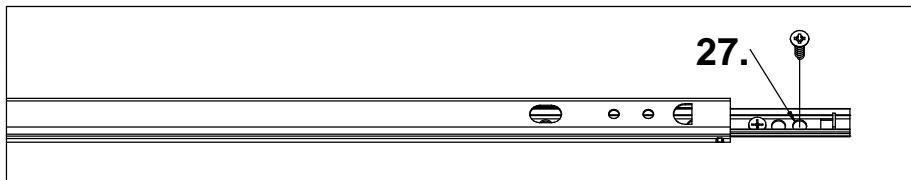
2.

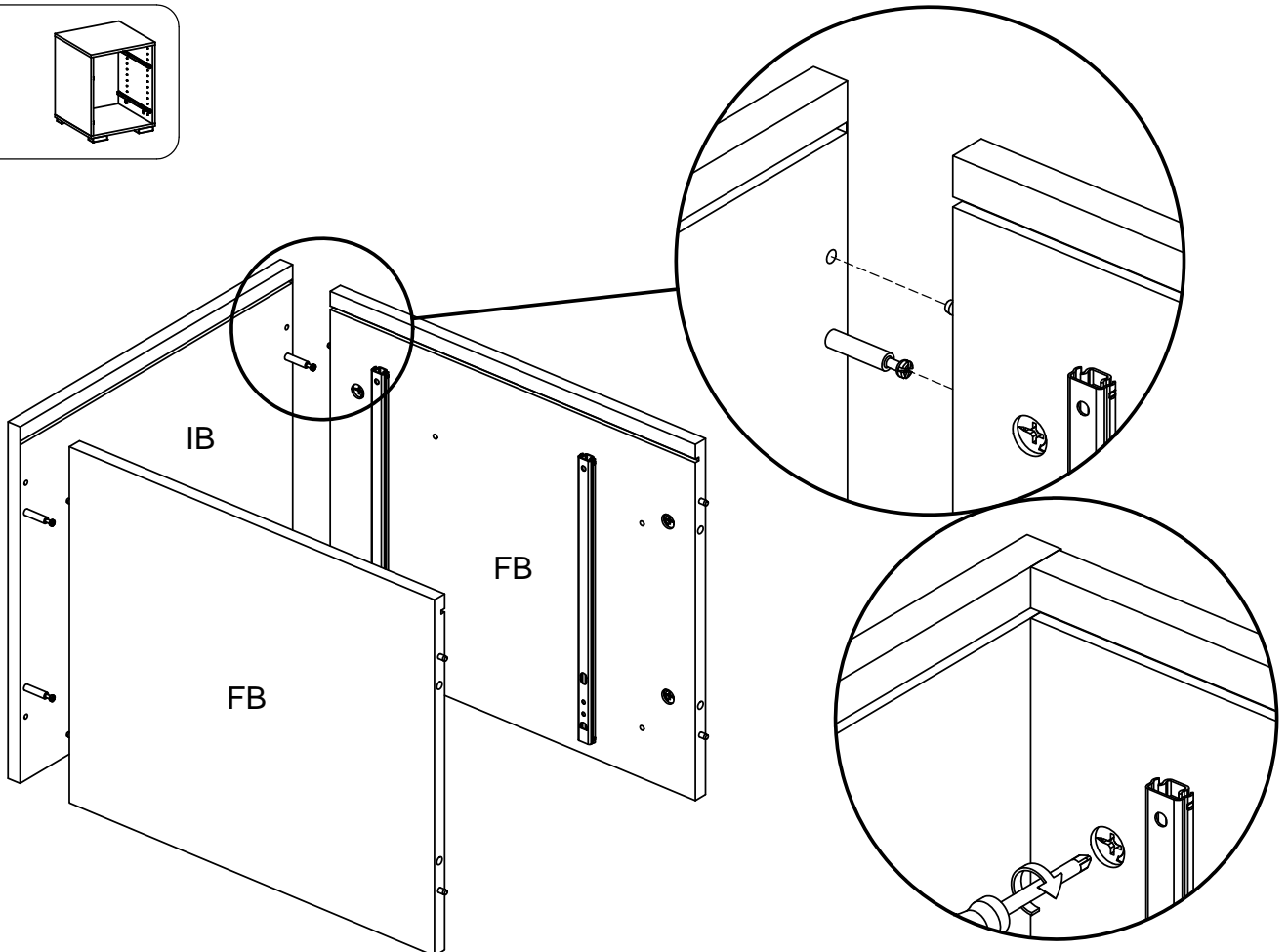
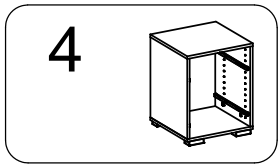
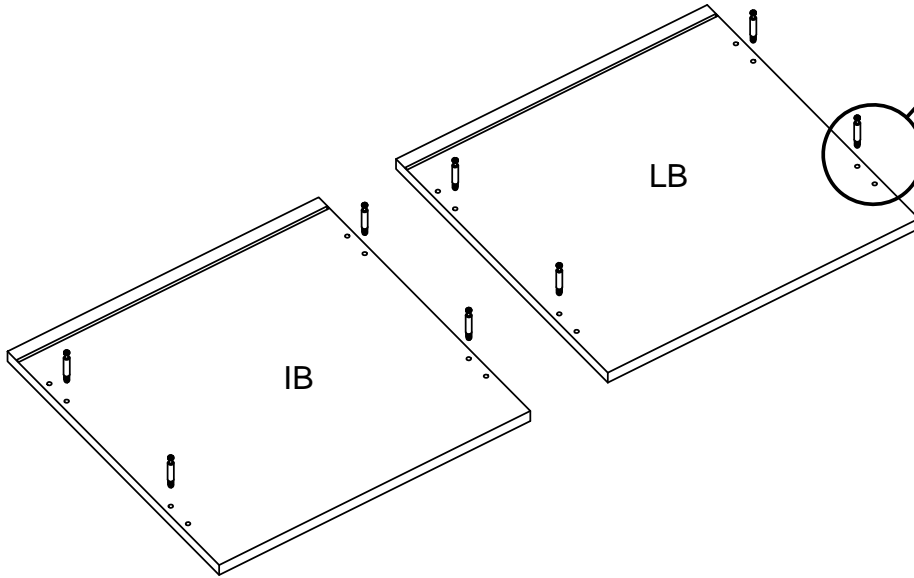
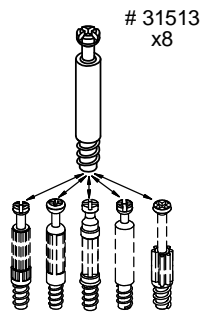
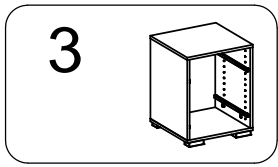


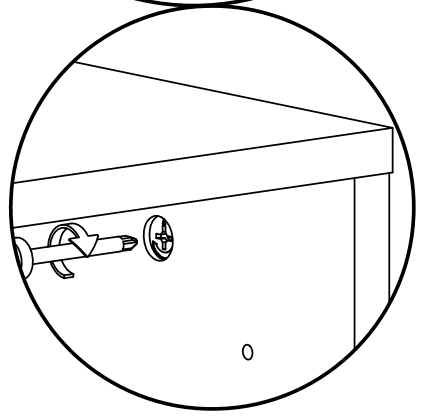
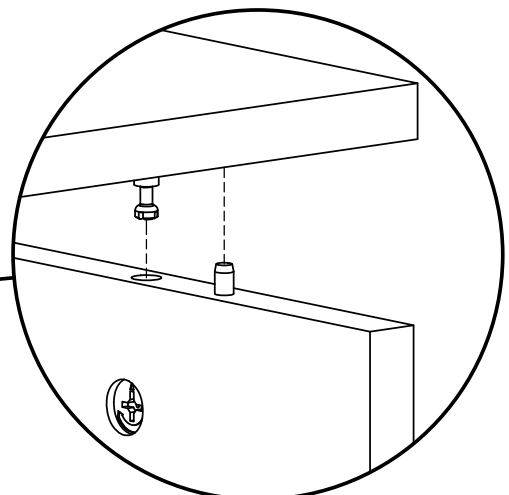
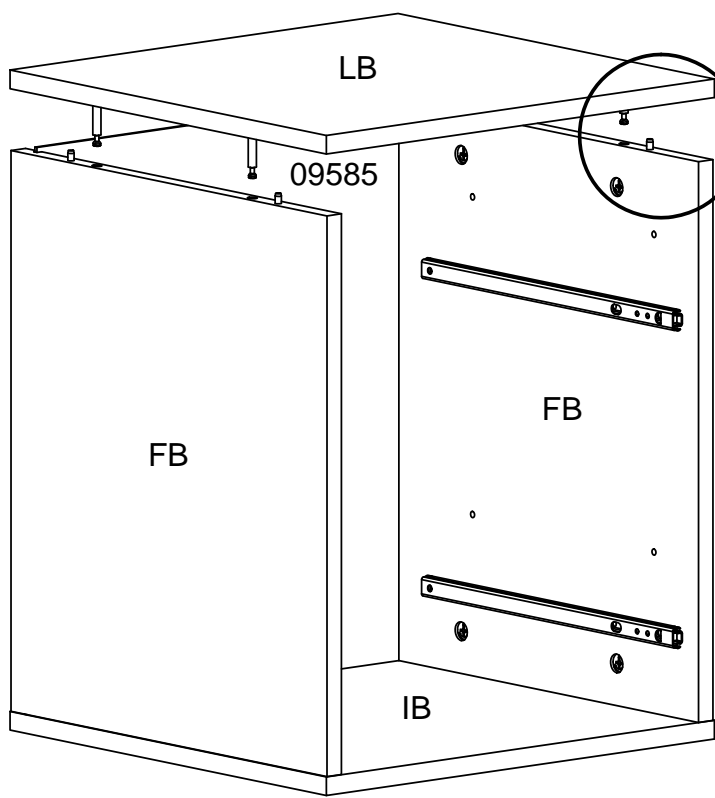
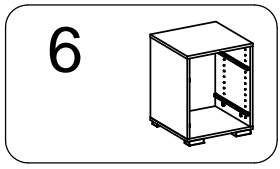
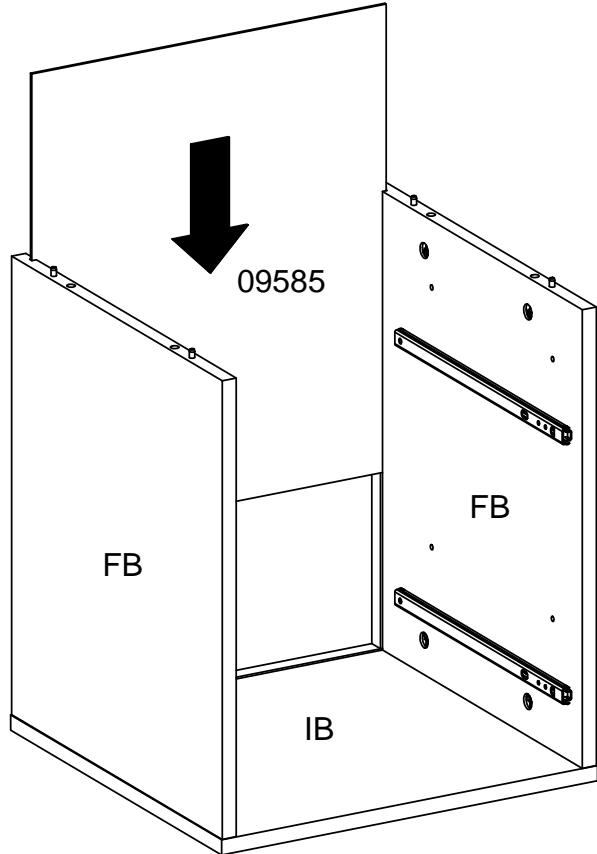
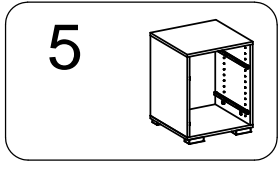
3.

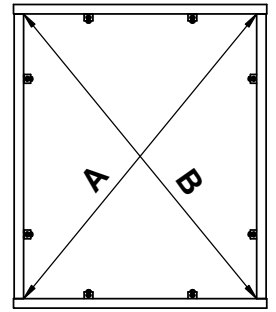
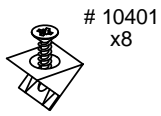
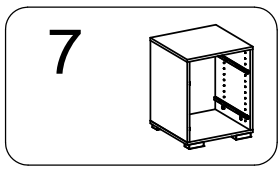


4.

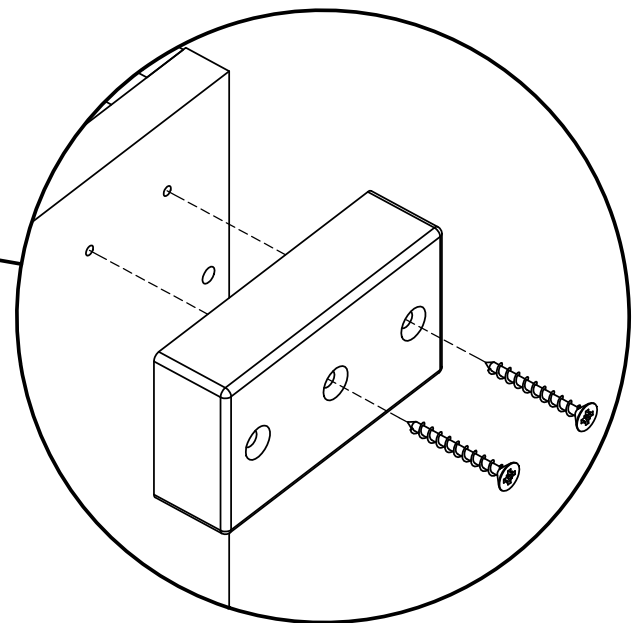
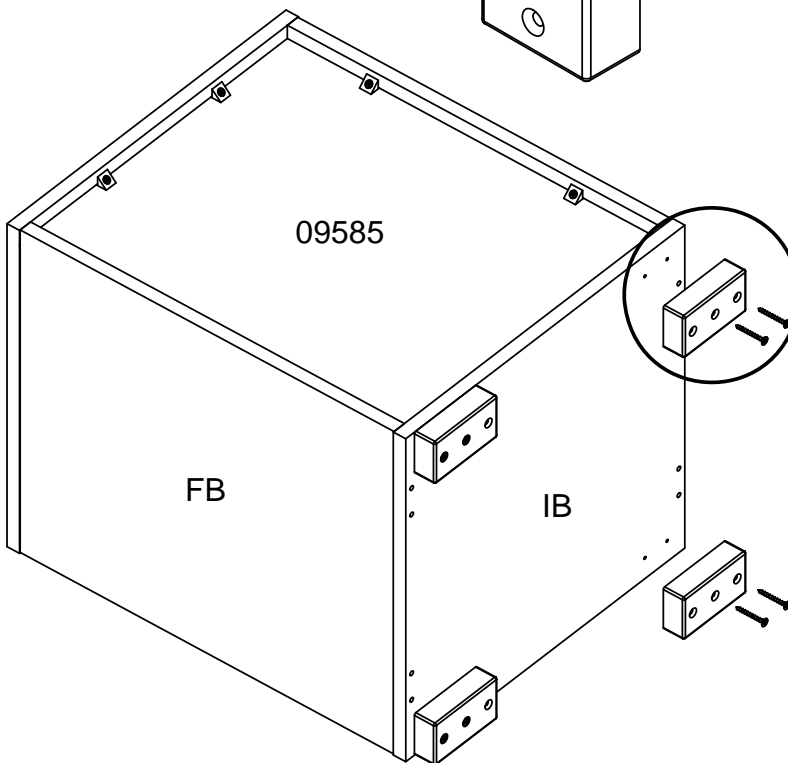
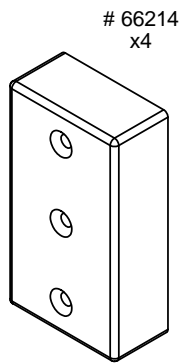
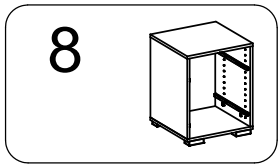
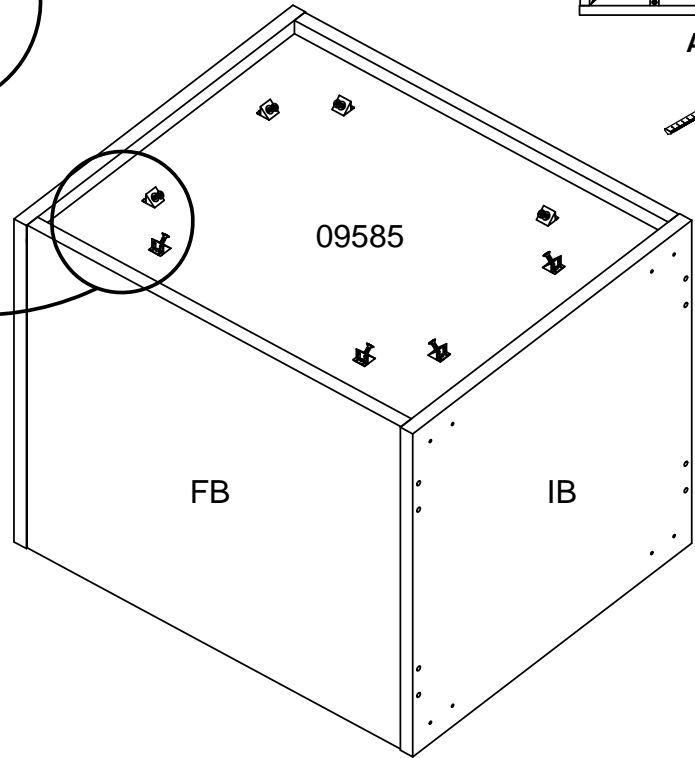
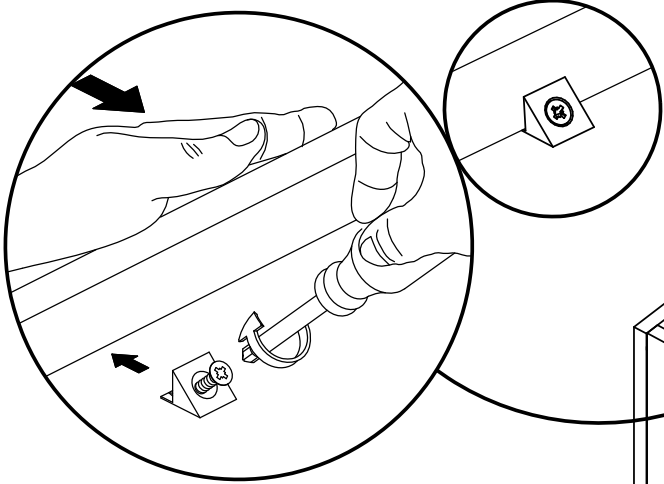
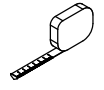


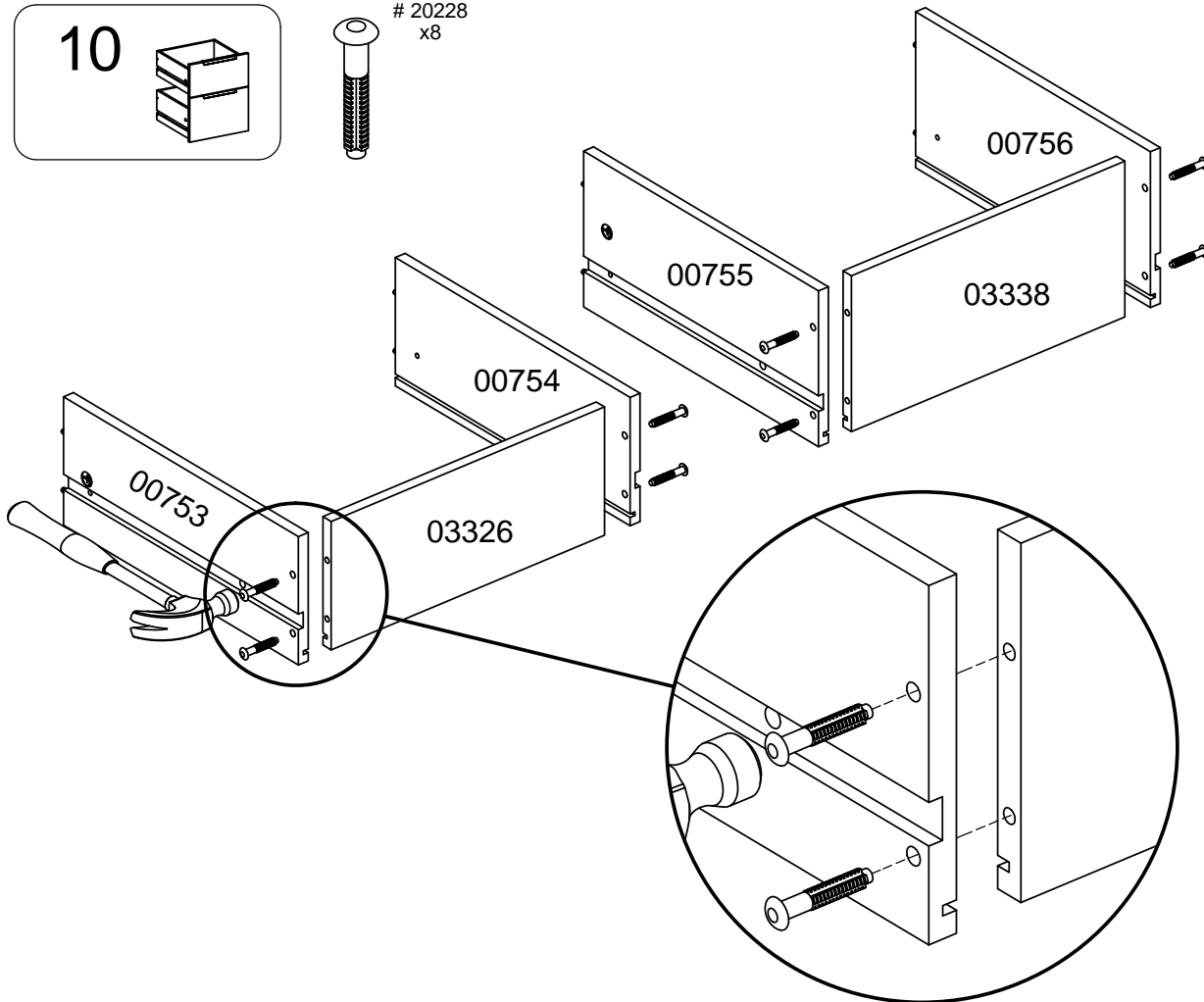
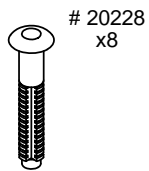
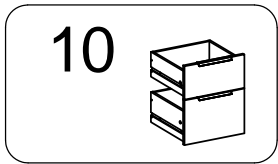
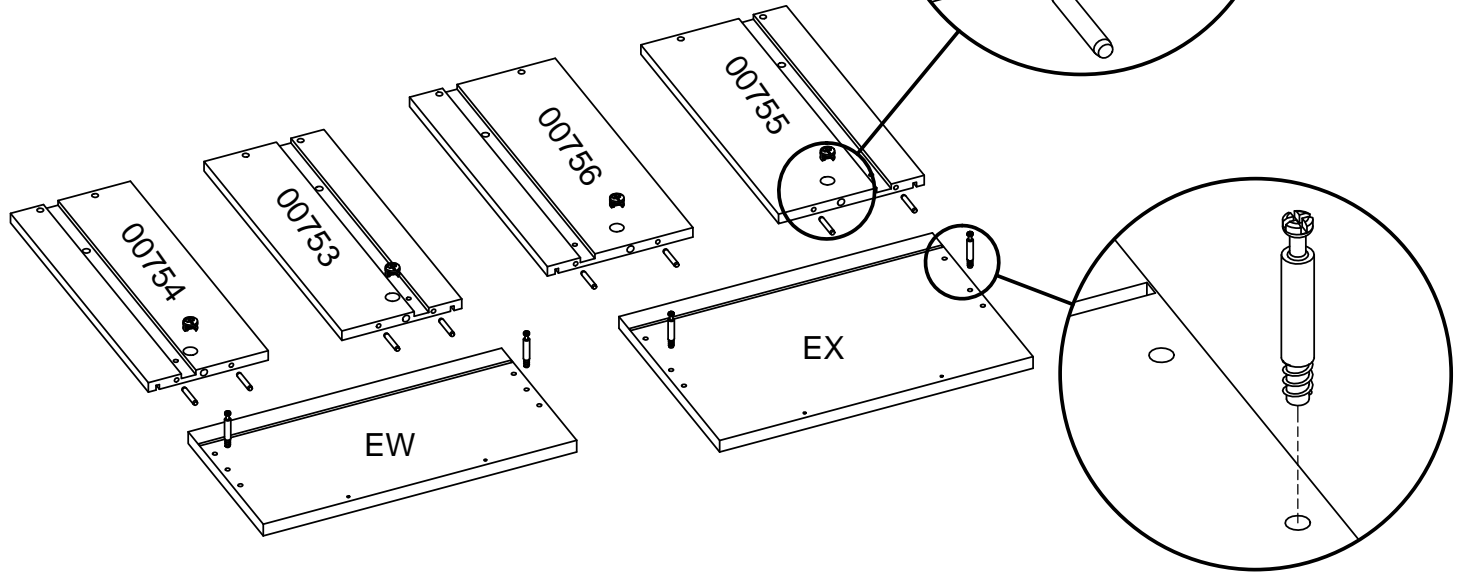
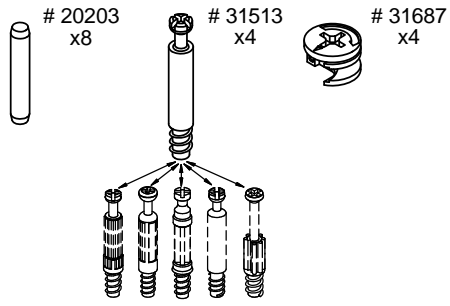
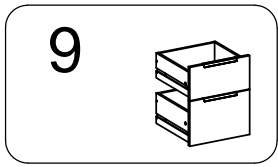




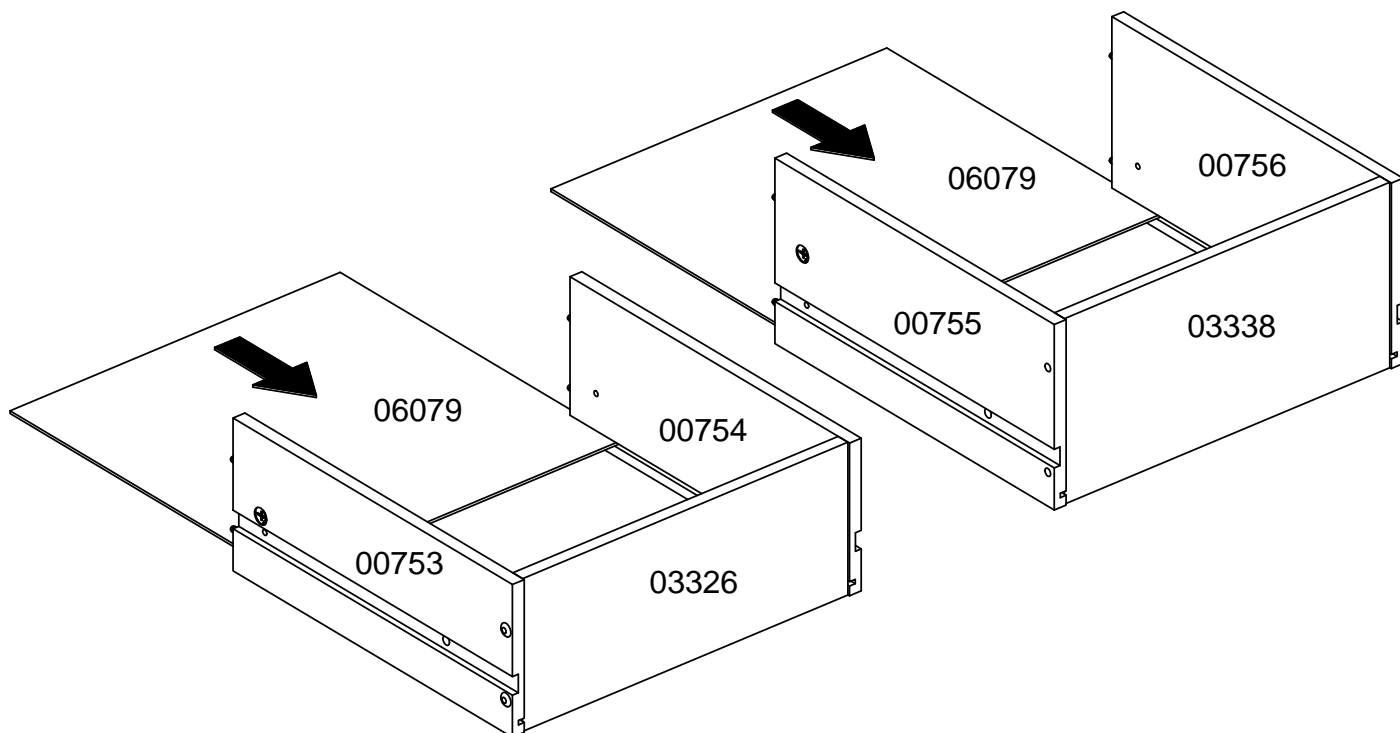
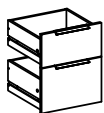


A = B

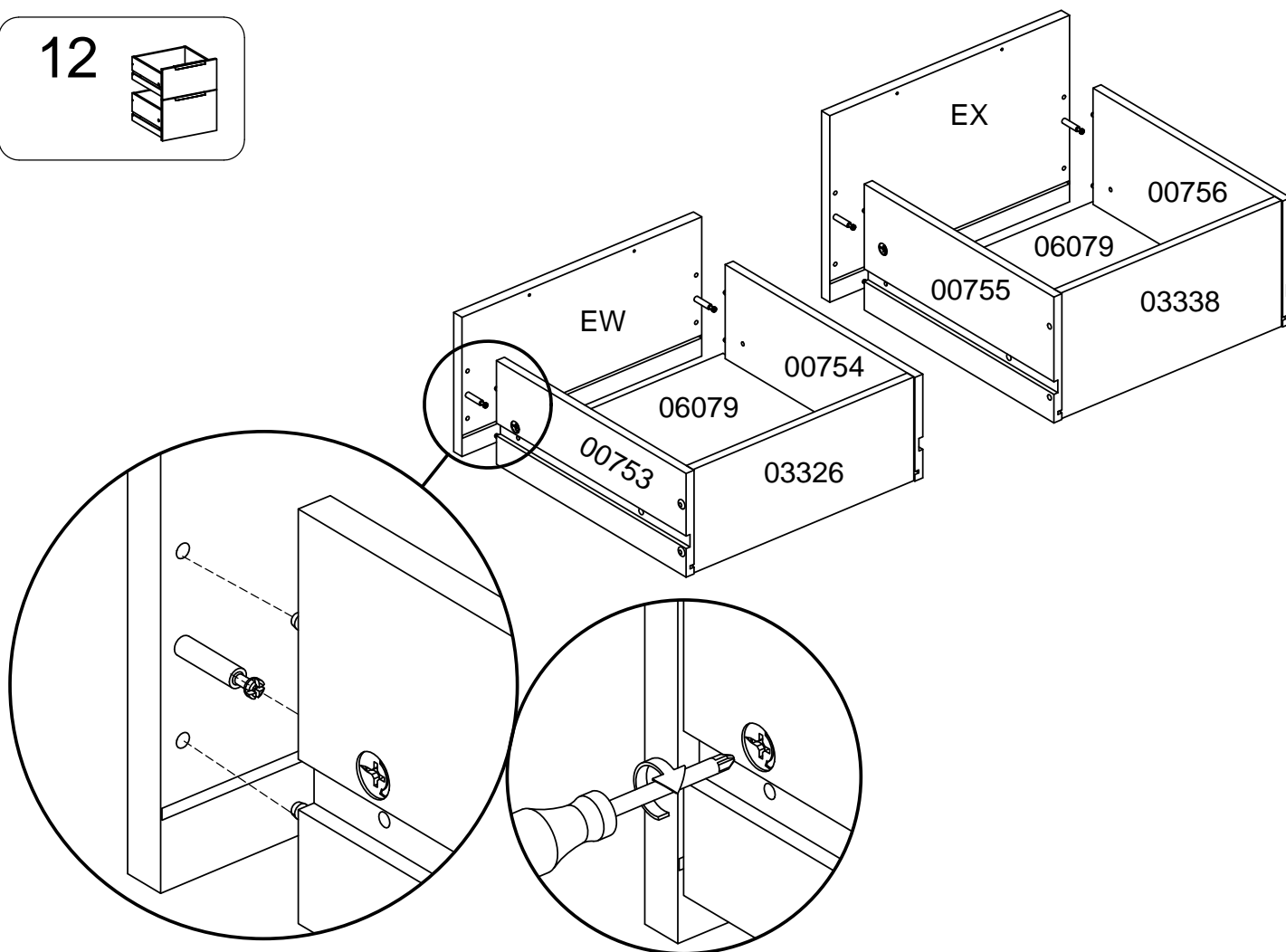
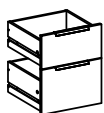




11



12

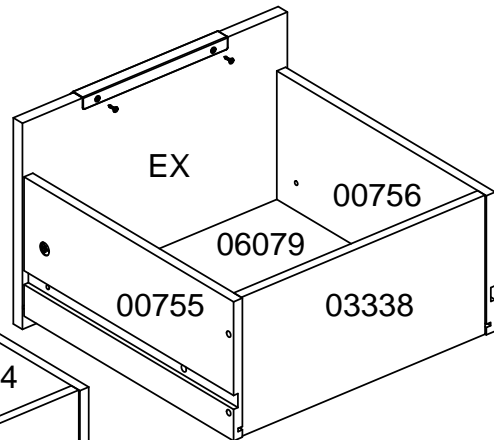
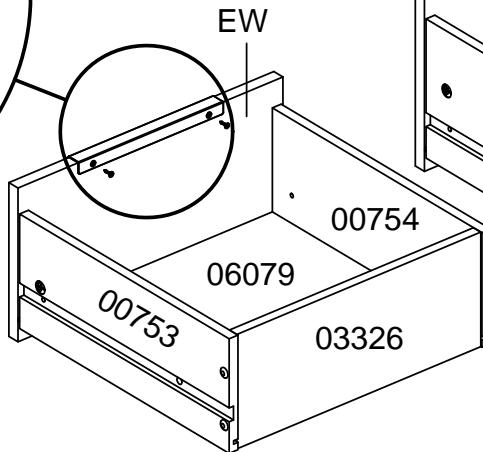
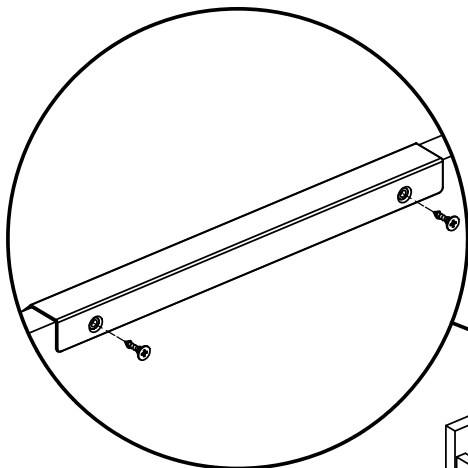
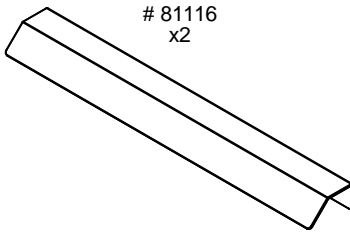


13

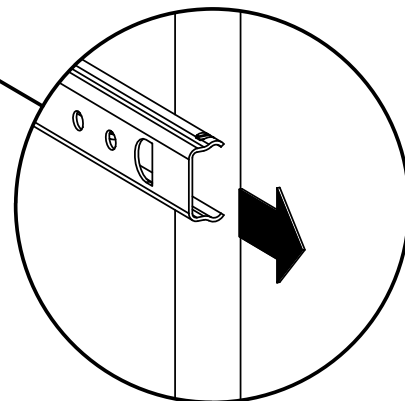
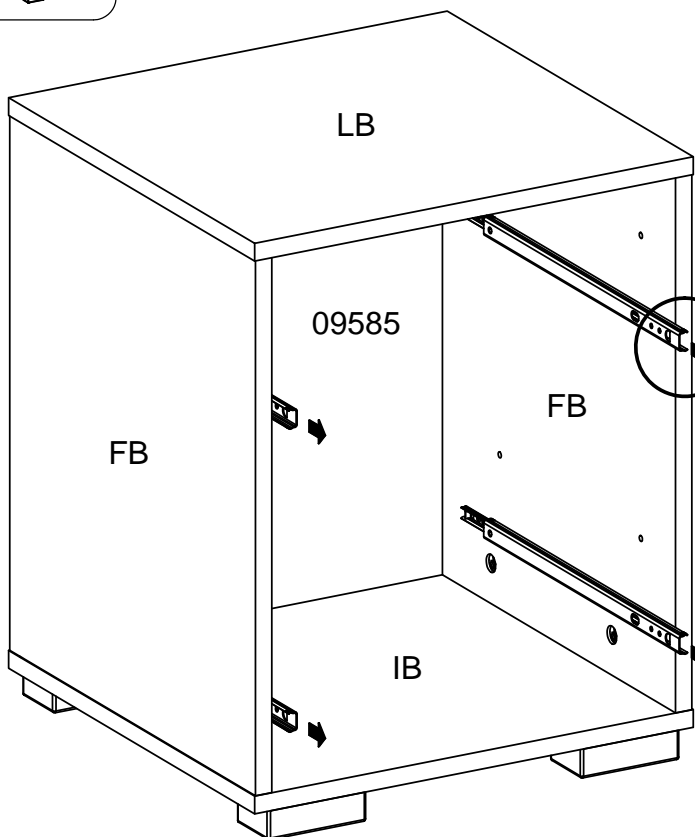


25215
x4

81116
x2



14



15



26214
x4

